



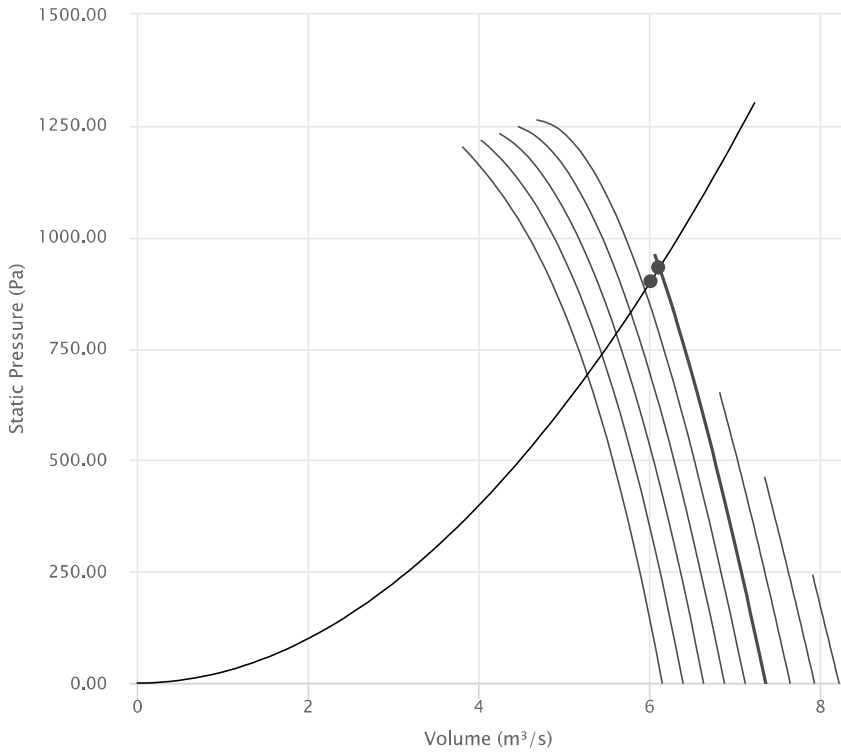
Project Name: film studio kitchen extract
 Client: just fans
 Engineer: luke
 Quote Number: AS220622.005
 Date: 22/06/2022
 Item Reference: fan
 Item Quantity: 1

AMD 630/2 11 kW Medium Pressure Axial Fan



Medium pressure axial fan with axial impeller with 14 aerodynamically profiled blades from polymers. Dynamically balanced to DIN ISO 1940-1, class 6.3 for low-vibration operation. Totally enclosed 3-phase squirrel cage motor with built-in thermal contacts, maintenance-free, speed controllable by voltage reduction, with low-noise sealed for life ball bearings.

Performance Chart



Product

Ref.No.	3376
Model Code	AMD 630/2 11 kW
Fan Size	632 mm
Maximum airflow temp.	60 °C
Weight	210.0 kg

Performance

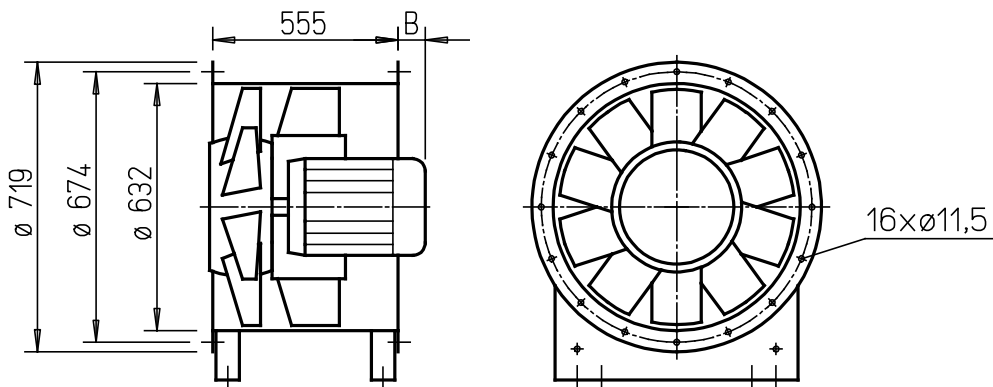
Requested Duty	6.01 m³/s @ 900 Pa (Static)
Actual Duty	6.11 m³/s @ 931 Pa (Static)
Fan Nominal Speed	2940 rpm
Specific Fan Power	1.04 W/l/s
Output Power	7.64 kW

Motor

Rating	11.0 kW
Poles	2
Electrical Supply	400-690v/3Ph/50Hz
Full Load Current	20 A

Sound

Dimension and Drawing







Zubehör MK... (s.u.)

*This drawing shows dimensions that should be used as a guide only and are subject to change. Certified drawings are available on request.



Project Name: film studio kitchen extract
Client: just fans
Quote Number: AS220622.005
Item Reference: fan
Engineer: luke
Date: 22/06/2022
Item Quantity: 1

AMD 630/2 11 kW - Selected Accessories

	Ref.No.	Model	Description
	5610	FIUK-11KW 24.0A	FREQUENCY INVERTER IP55 380-480V 3PH 50/60HZ 11.0 KW 24.0 A
	1228	STS 630	FLANGED FLEXIBLE CONNECTOR DIA. 630 MM
	1367	SDD 3	ANTI-VIBRATION MOUNTS FOR COMPRESSION, 1 SET = 4 PCS
	1333	MK 630	MOUNTING FEET (PAIR)